

BR 2000/275



BR 2000

This innovative groomer boasts a revolutionary design and convenient features that improve power, comfort and control for maximum performance of every task.

The BR 2000™ will increase your productivity more than ever. Bombardier prides itself in offering the BR 2000 with extra features like superior operator comfort, great power and speed.

This is not your typical 350 horsepower groomer. You will be surprised not only by its pushing ability but also by its agility and the first class groomed surface that it leaves. Your guests will be impressed by the results.



BR 2000 Operator's Cabin

Exterior

- Enhanced 360° visibility
- Superior lighting system front and rear
- Certified ROPS cab rollover protection
- External cab rails for safety and convenience
- Electrically adjustable heated mirrors

Interior

- Roomy work environment
- Comfortable adjustable seat design
- Single stick control for front and rear hydraulics
- Smooth effortless steering
- High flow ventilation and heating system
- Controls positioned for natural operator movement

BR 275

The BR 275™ has the control you want with the power you need. With powerful hydraulics, exceptional maneuverability and comfort, the BR 275 is ready to go "all day", "every day", no matter what the job.

You can be confident that the BR 275 with its superior reliability and performance will turn out a first class groomed surface in all snow conditions.

With all of its customer driven features, the BR 275 was truly "built to groom".

The words that best describe this model are:

- Proven
- Workhorse
- Solid
- Dependable



BR 275 Operator's Cabin

Exterior

- Excellent 360° visibility
- Strong steel cab structure with fiberglass exterior
- Excellent lighting with six forward lights and two rear
- Wiper system includes, three speeds, intermittent and momentary control

Interior

- Warm, comfortable work area
- Well layed out controls and gauges
- Easy to operate
- Hydraulic controls give solid response to every operator command
- Very precise two lever steering control of each track



Tower winch

When it comes to moving snow uphill faster and producing a great groomed surface at the same time, the BR with Tower Winch is second to none.

The strength and quickness of our tower winch combined with the precision control and agility of the BR 2000 and BR 275 give you the ultimate machine for the most difficult slopes.

Advantages

- Winch speed is matched to vehicle speed for maximum productivity
- Superior winch pulling force and consistent pull at all times
- Long rope life with low cost rope
- Easy to operate
- Strong simple reliable design
- Easy service access to all winch and vehicle components



Specifications

Cable diameter	12.7 mm – 1/2"
Cable capacity	650 m = 2100 ft
Maximum pull force	4.1 M Tons = 9000 lbs
Maximum speed	19.1 km/hr = 11 m/hr
Breaking strength	14.4 M Tons = 31,800 lbs
Drum diameter	792 mm = 31.2"
Weight	2056 kg = 4544 lbs

Front implements

Terrain Master blade

Good grooming begins with the blade.

Whether you are pushing man made snow, building terrain features or grooming a run the Terrain Master is the ultimate blade.



Terrain Master blade

Advantages

- Increased range of motion from standard blade
- Greater pushing capacity with 21% more blade surface.
- Larger auxiliary pump for greater power and speed
- Plastic blade covering reduces friction and stops snow from sticking to blade
- New quick mount design makes it easy and fast to switch implement



Half Pipe Grinder (HPG)

The HPG comes in two models, the HPGR12 (12' radius) and the HPGR17 (17' radius). Both models are built to FIS standard.

Advantages

- Light weight for ease of transport and maneuverability
- Dependable design for minimum downtime
- Bi-directional cutters for cutting up and down and sweeping snow out of transitions.
- Conserves snow so your pipe will last longer.
- Excellent versatility with the ability to operate in many positions.



"New" Terrain Master Blade with Park curl option

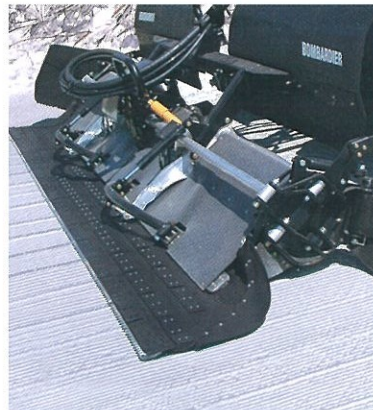
Advantages

- Increased blade curl functions to build and maintain features more efficiently
- More blade curl motion than standard Terrain Master blade to build and maintain features more efficiently
- Independent, easy to operate curl and angle function on blade control handle for faster more precise control.

Bombardier also offers front mount snowblower and renovator.

Rear Implements

The Bombardier groomed surface is recognized by skiers and boarders alike as the ultimate – the best that it can be. Well, it just got better. The Terrain Master tiller with redesigned cutting teeth, progressive finish combs and increased range of motion will leave a superior groomed surface at higher speeds and in more snow conditions.



Terrain Master Tiller

Advantages

- Leaves improved finish – increased quality
- Groom at higher speeds – more productive
- More durable design – less maintenance
- Easy to operate
- Works in wider range of snow conditions



Hydraulic Wing Option

Independently operated hydraulic wings can be added to any Terrain Master tiller.

Advantages

- Fold up out of the way to get through tight places
- Increase tiller width by 3' giving a wider pass
- Cover track marks in tight turns
- Reduces snow spillage while going downhill
- Reduces curb on trail edges
- Improves seam between grooming passes

High lift and comb retainer option

- Allows you to set tiller on any terrain transition without the rubber finisher mat folding under the tiller.

4.3 m Compactor bar also available.

Articulated rear lift frame

- This rear lift frame allows the operator to steer the rear implement to either side of the vehicle to obtain a consistent groomed surface, pass to pass. A float setting allows the implement to follow the vehicle in a trailing fashion if desired. These features coupled with adjustable up and down pressure ensure optimum productivity and snow surface quality.



Flex control at last.

This innovative new design gives the operator control hydraulically of the flex position of the tiller.

PosiFlex™ Terrain Master tiller

- Put the tiller in the flat position while grooming ramps and terrain features. No more rounded take offs.
- Put your tiller in a concave position for improved grooming of tubing lanes and transitions.
- Use a convex position when building moguls or grooming Nordic skate lanes.
- Put a little extra pressure on the outside edges of tiller in hard snow to groom faster without tiller hop for increased quantity and productivity.
- Switch off the PosiFlex control and the Posiflex becomes a normal Terrain Master tiller.

Customer Support

Service

At Bombardier we are as proud of our customer support as we are of our products. Your Regional Office has skilled technicians to handle every service need.

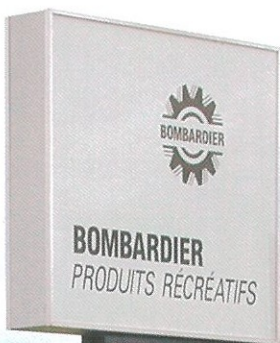


Factory Support

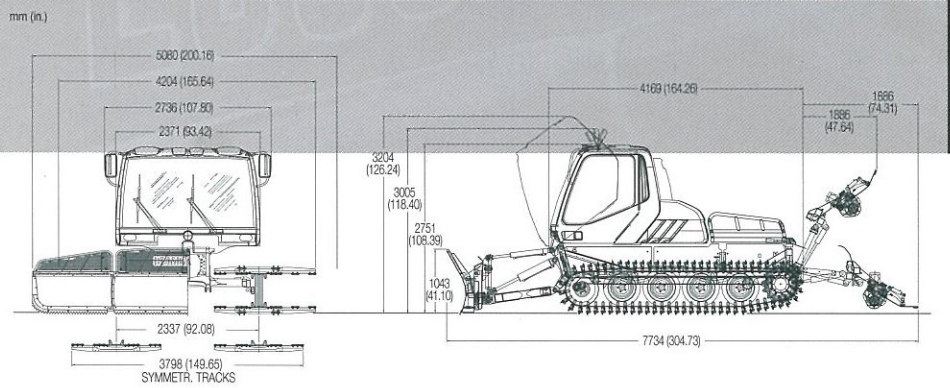
At our factory in Granby, Qc, we don't just build groomers. We have a team of engineers, technical service advisors, parts planners, and many others that continually strive to support our customers and improve our products.

Spare Parts

Bombardier parts support includes well stocked shelves, a computerized network of spare parts all across North America and the commitment of people who care.



BR 2000



DIMENSIONS

Tracks	Steel and Alu Asymmetrical
Overall Length	4.14 m (163.1")
Overall Width	4.23 m (166.5")
Overall Height	2.97 m (117.0")
Ground Clearance	30.5 cm (12.0")
Shipping weight	
- Basic vehicle	6,300 kg 13,950 lbs.
- Basic vehicle (with blade, tiller)	8,133 kg 17,930 lbs.

PERFORMANCE

Maximum speed	19.1 km/h/12 mph
Inside Turning Radius	0 m/0 ft.
Ground pressure	0.044-0.074 kg/cm ² 1.05 Psi
- Basic vehicle (with blade, tiller and asymmetrical steel tracks)	
Maximum gradeability on hard packed snow:	
- Uphill	Up to 100%
- Sidehill	75% of uphill

ENGINE

Make	Cummins
Model	QSL 350
No of Cylinders	6
Displacement	9.0 L
Horsepower @ 2,000 rpm	350 hp / 261 kW
Torque @ 1,300 to 1,600 rpm	1,150 lbs. ft.

POWER TRAIN

Transmission	
- Model	Sundstrand series 90
- Type	Hydrostatic
Brakes	
- Service	Positive deceleration through the hydrostatic transmission
- Parking	Multidisc, spring applied pressure-released

STEERING

Independent steering lever control for each track

ELECTRICAL

Voltage	24 volts + 12 volts
Battery Capacity	2X900 amps cranking capacity with 190 minutes reserve
Alternator Capacity	120 amps X 28 volts

SUSPENSION

2 front wheels mounted on cranking arms and steel torsion bar.
8 wheels on walking beams mounted on cranking arms and rubber torsion blocks.

WHEELS

Quantity	10
Type of tire	2 solid rubber (front)
	8 pneumatic
Size	610/145-13

TRACKS

Type	Steel cross link. J-style steel semi close profile cross link aluminum cross link all mounted on rubber belt
------	--

CHASSIS

Type	Heat treated heavy steel tube
------	-------------------------------

CAPACITIES

	U.S. gallons	Liters
Cooling system	9.2	35
Fuel tank	69.0	260
Engine crankcase	7.1	27
Hydrostatic system and hydraulic system	16.0	60

STANDARD EQUIPMENT

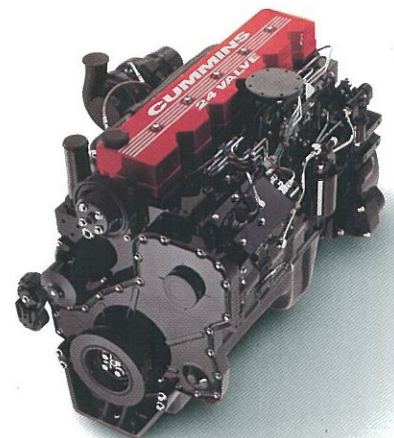
Microprocessor assisted control
2-person insulated cab with electric power tilt and integrated roll-over protective structure (R.O.P.S.)
1 bucket seat (1 Bombardier)
Tinted glasses
Sliding side windows
Seat belts
Dome and instrument lights
4 front lights (halogen) 560 watts
Corner lights
2 rear lights (halogen) 280 watts
10-section hydraulic system (6 front - 4 rear)
Full instrumentation
Audio-visual warning system on major components
Rotating light
110 volts hydrostatic oil tank heater
110 volts engine block heater

STANDARD EQUIPMENT (continued)

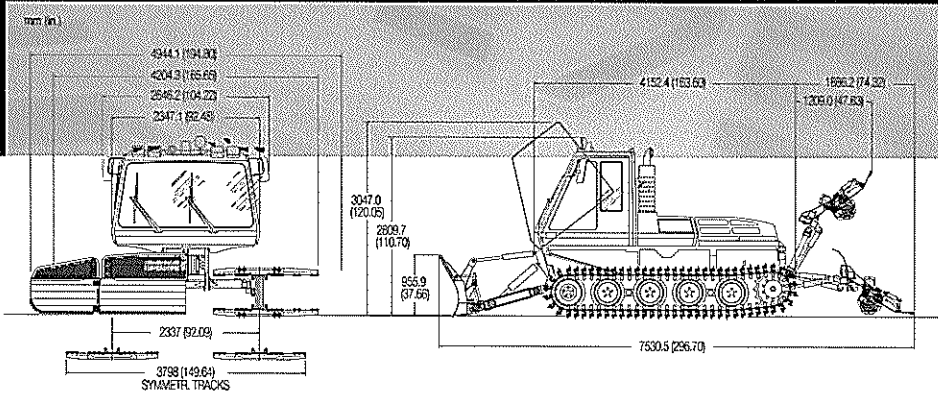
Remote-controlled heated rearview mirrors
Heated windshield and side glasses
Cab heater and defrost system
Parking brake w/automatic application upon door opening
Tiller drive variable speed
Horn
Lighter
Ashtrays
Electric-hydraulic joystick (front blade)
Adjustable intermittent front and rear wipers
Momentary front and rear wipers
Master electrical cut-off switch
Electrical engine shut-down
Cold start aid
AM/FM stereo CD radio with digital display
Directional halogen spotlight
Back-up alarm
Fire extinguisher
Articulated lift frame with quick hitch
Rear cover
Pintle hook
Parts service and operator's manuals

OPTIONAL EQUIPMENT

Asymmetrical semi-closed profile steel tracks
Asymmetrical steel tracks 1.7 m (66")
Asymmetrical aluminum tracks 1.7 m (66")
Symmetrical steel tracks 1.5 m (58")
Terrain Master blade with quick hitch
Ball type 12 way blade and push frame
4.3 m (169") variable geometry Terrain Master Tiller:
4.3 m (169") Posiflex tiller
Comb retainers for tiller
Hydraulic wings for tiller
4.3 m (169") compactor bar
Tower winch
HPG R12 12' radius half pipe cutter
HPG R17 17' radius half pipe cutter
Front renovator
Snow Blower
Perma groomer wheels
Gel-filled wheels
Front alarm (mandatory in Quebec)
Rear deck
Carbide ice spikes



BR 275



DIMENSIONS

Tracks	Steel Symmetrical	Steel and Alu Asymmetrical
Overall Length	4.14 m (163")	4.14 m (163")
Overall Width	3.81 m (150")	4.22 m (166")
Overall Height	2.68 m (105.5")	2.68 m (105.5")
Ground Clearance	30.5 cm (12")	30.5 cm (12")
Shipping weight		
- Basic vehicle (wet) (includes tracks)	13,760 lbs. 6,260 kg	13,900 lbs. 6,300 kg
- Basic vehicle (with blade, tiller)	17,250 lbs. 7,800 kg	17,450 lbs. 7,900 kg

PERFORMANCE

Maximum speed	19.1 km/h/12 mph
Inside Turning Radius	0 m/0 ft.
Ground pressure (center front wheel to center sprocket):	
- Basic Vehicle	65 g/cm ² (0.92 PSI)
- Vehicle equipped with blade, tiller	81 g/cm ² (1.16 PSI)
Maximum gradeability on hard packed snow:	
- Uphill	Up to 100%
- Sidehill	75% of uphill

ENGINE

Make	Cummins	
Model	6CTA 8.3	
No of Cylinders	6	
Displacement	8.3 L	506 cu.in.
Horsepower @ 1900 RPM	280 PS	275 HP
Torque @ 1,500 RPM	1119 N.m	825 lb.ft

POWER TRAIN

Transmission	
- Model	Sundstrand series 90
- Type	Hydrostatic
Brakes	
- Service	Positive deceleration through the hydrostatic transmission
- Parking	Multidisc, spring applied pressure-released

STEERING

Independent steering lever control for each track

ELECTRICAL

Voltage	24 volts + 12 volts
Battery Capacity	2X950 amps cranking capacity with 190 minutes reserve
Alternator Capacity	150 amps X 24 volts

SUSPENSION

2 front wheels mounted on cranking arms and steel torsion bar.
8 wheels on walking beams mounted on cranking arms and rubber torsion blocks.

WHEELS

Quantity	10
Type of tire	2 solid rubber (front) 8 pneumatic
Size	560 x 140-12

TRACKS

Type	Steel cross link. J-style steel semi close profile cross link aluminum cross link all mounted on rubber belt
------	--

CHASSIS

Type	Heat treated heavy steel tube
------	-------------------------------

CAPACITIES

	Liters	U.S. gallons
Cooling system	35	9.3
Fuel tank	260	69
Engine crankcase	20	5.3
Hydrostatic system	100	26

STANDARD EQUIPMENT

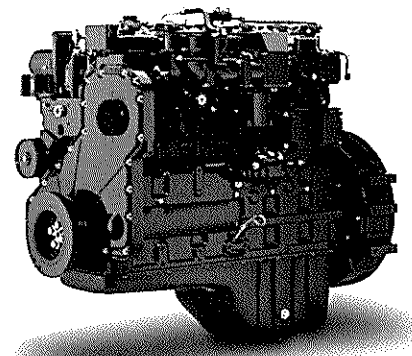
Manual steering without microprocessor
2-person insulated cab with electric power tilt
2 bucket seats
Tinted glasses
Pop out side windows
Seat belts
Dome and instrument lights
4 front lights (halogen)
2 rear lights (halogen)
Corner lights
10-section hydraulic system (6 front - 4 rear)
Full instrumentation
Audio-visual warning system on major components
Rotative light (Beacon Light)
110 volts hydrostatic oil tank heater
110 volts engine block heater

STANDARD EQUIPMENT (continued)

Heated rearview mirrors
Heated windshield and side glasses
Cab heater and defrost system
Parking brake w/automatic application upon door opening
Tiller drive variable speed
Horn
Lighter
Ashtrays
Electric-hydraulic joystick (front blade)
Adjustable intermittent front and rear wipers
Momentary front and rear wipers
Master electrical cut-off switch
Electrical engine shut-down
Cold start aid
AM/FM stereo CD radio with digital display
Directional halogen spotlight
Back-up alarm
Fire extinguisher
Articulated lift frame with quick hitch
Rear cover
Pintle hook
Parts, service and operator's manuals

OPTIONAL EQUIPMENT

Asymmetrical semi-closed profile steel tracks
Asymmetrical steel tracks 1.7 m (66")
Asymmetrical aluminum tracks 1.7 m (66")
Symmetrical steel tracks 1.5 m (58")
Terrain Master blade with quick hitch
Ball type 12 way blade and push frame
4.3 m (169") variable geometry Terrain Master Tiller:
4.3 m (169") Posiflex tiller
Comb retainers for tiller
Hydraulic wings for tiller
4.3 m (169") compactor bar
Tower winch
HPG R12 12' radius half pipe cutter
HPG R17 17' radius half pipe cutter
Front renovator
Snow Blower
Perma groomer wheels
Gel-filled wheels
Microprocessor assisted control
Front alarm (mandatory in Quebec)
Rear deck
Carbide ice spikes



More Products

In addition to the BR 2000 and BR 275 we also specialize in other soft track vehicles.

Go-Tract®

A family of multi-terrain vehicles used as tool carriers and personnel transporters with Gross Vehicle Weight from 2,000 to 3,000 lbs. The Go-Tract vehicles are typically built to order and are used in off-road, rough terrain applications where special equipment or heavy load transportation is required.



Muskeg®

A family of diesel powered multi-terrain vehicles used as tool carriers and personnel transporters with Gross Vehicle Weight from 2,000 to 3,000 lbs.



SW 48®

The SW 48 is a 48" wide high speed tracked sidewalk snow remover with salt and sand spreading capabilities. When it comes to clearing sidewalks, it is in a class of its own.



BR 180®

The BR 180 is our smaller Nordic and snowmobile trail groomer. It is available in 8', 9' and 10' width with all way blade, tiller, track setters or 5-person cab for transporting people.

